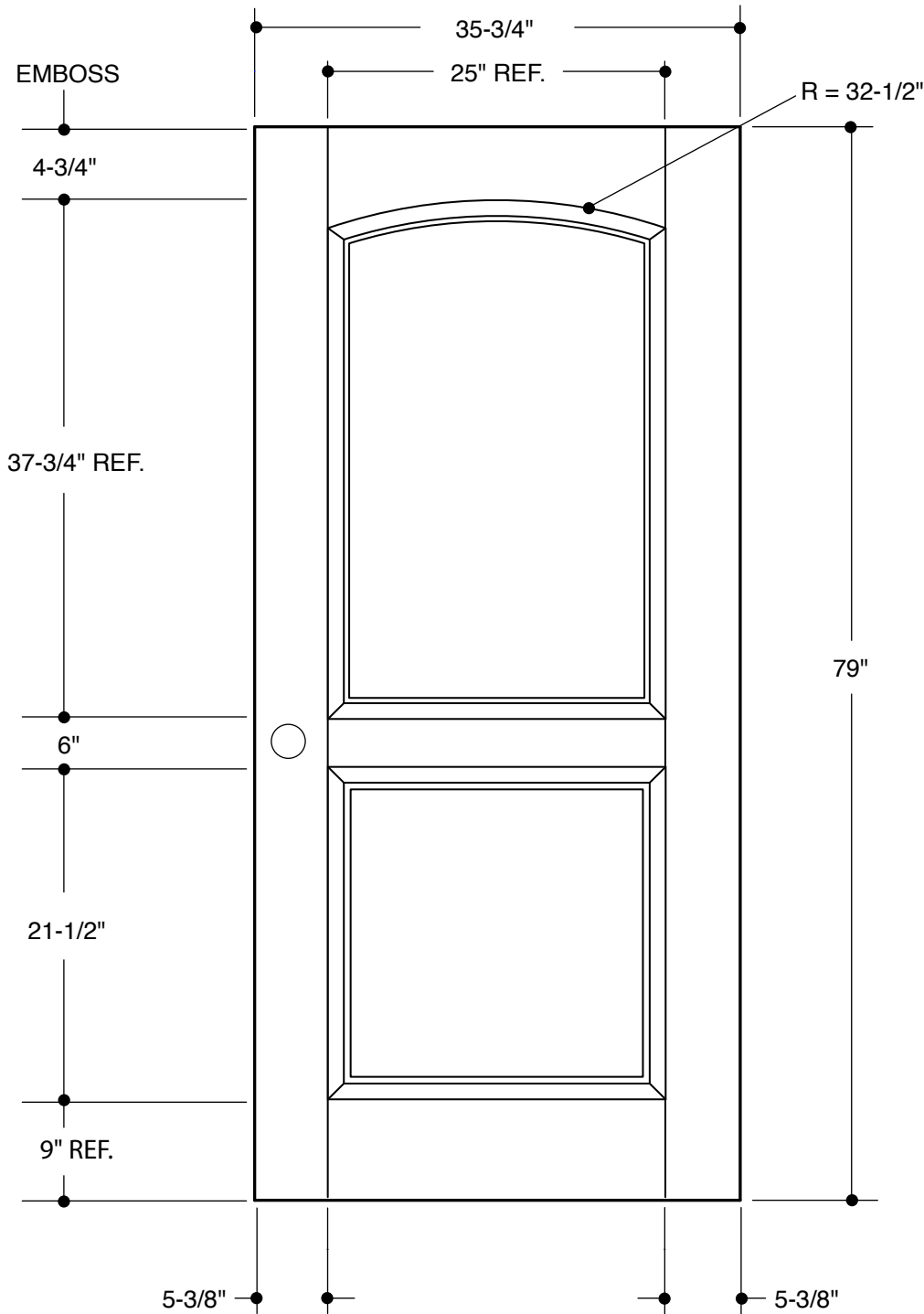


**2-PANEL
CAMBER TOP**



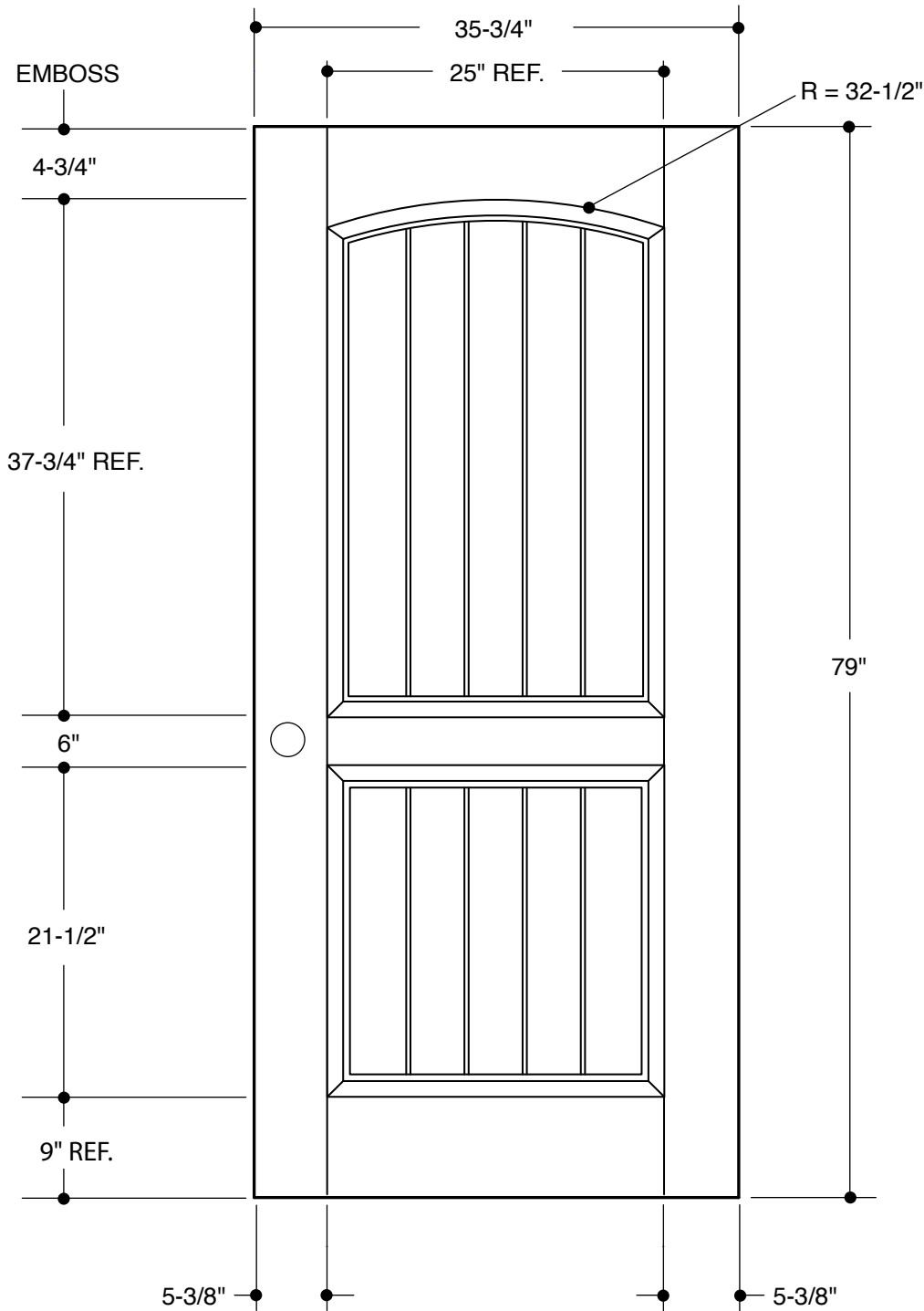
SEE
ELEVATION
VIEW
FOR
DETAIL

3'0"

PART NO.	QTY.	DESCRIPTION
		BARRINGTON® SIERRA™ WOOD-GRAIN TEXTURED FIBERGLASS

Our continuing program of product improvement makes specifications, design and product detail subject to change without notice.

**2-PANEL
CAMBER TOP PLANK**



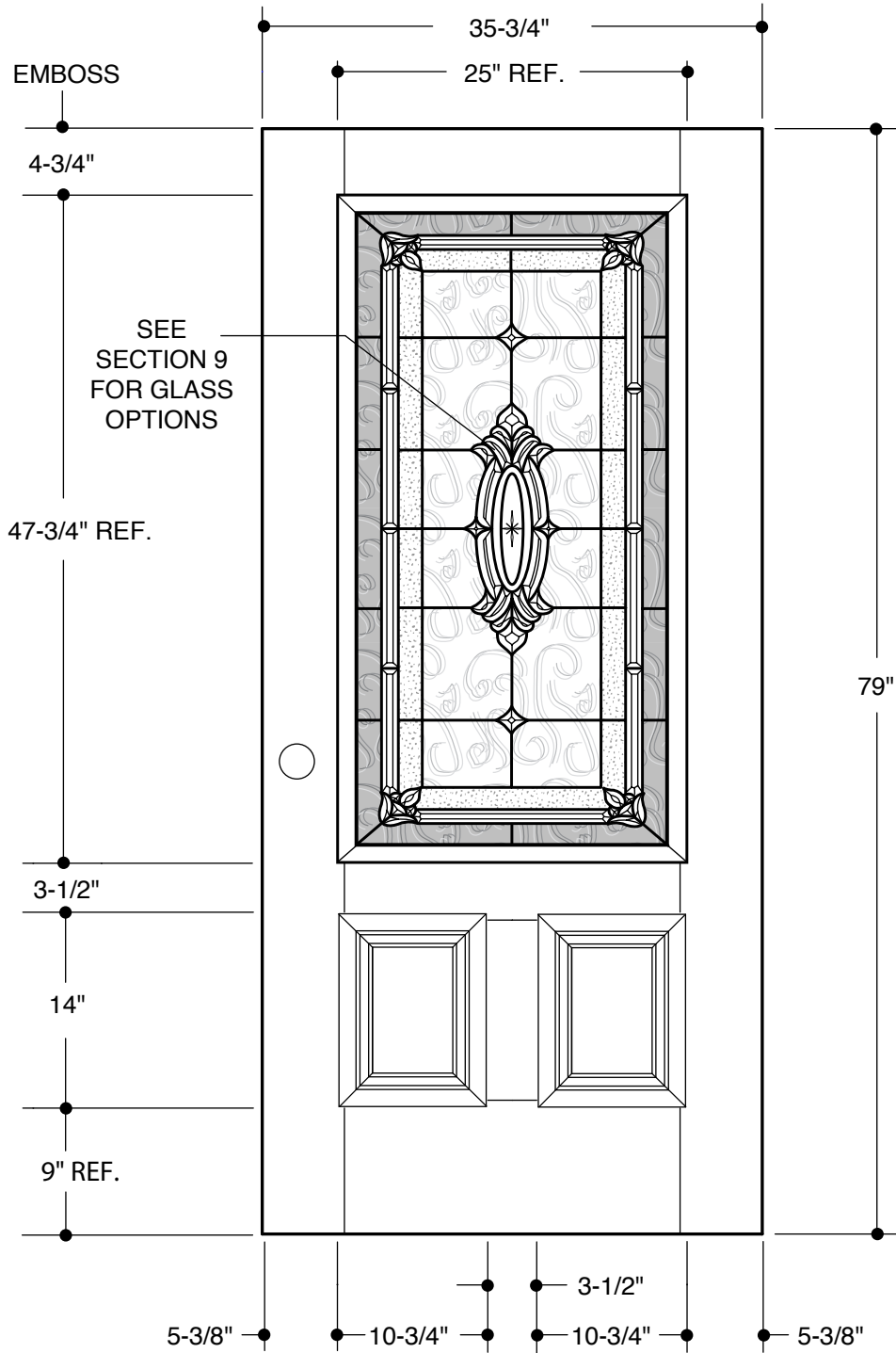
SEE
ELEVATION
VIEW
FOR
DETAIL

3'0"

PART NO.	QTY.	DESCRIPTION
		BARRINGTON® SIERRA™ WOOD-GRAIN TEXTURED FIBERGLASS

Our continuing program of product improvement makes specifications, design and product detail subject to change without notice.

**2-PANEL WITH 3/4
RECTANGULAR INSERT**

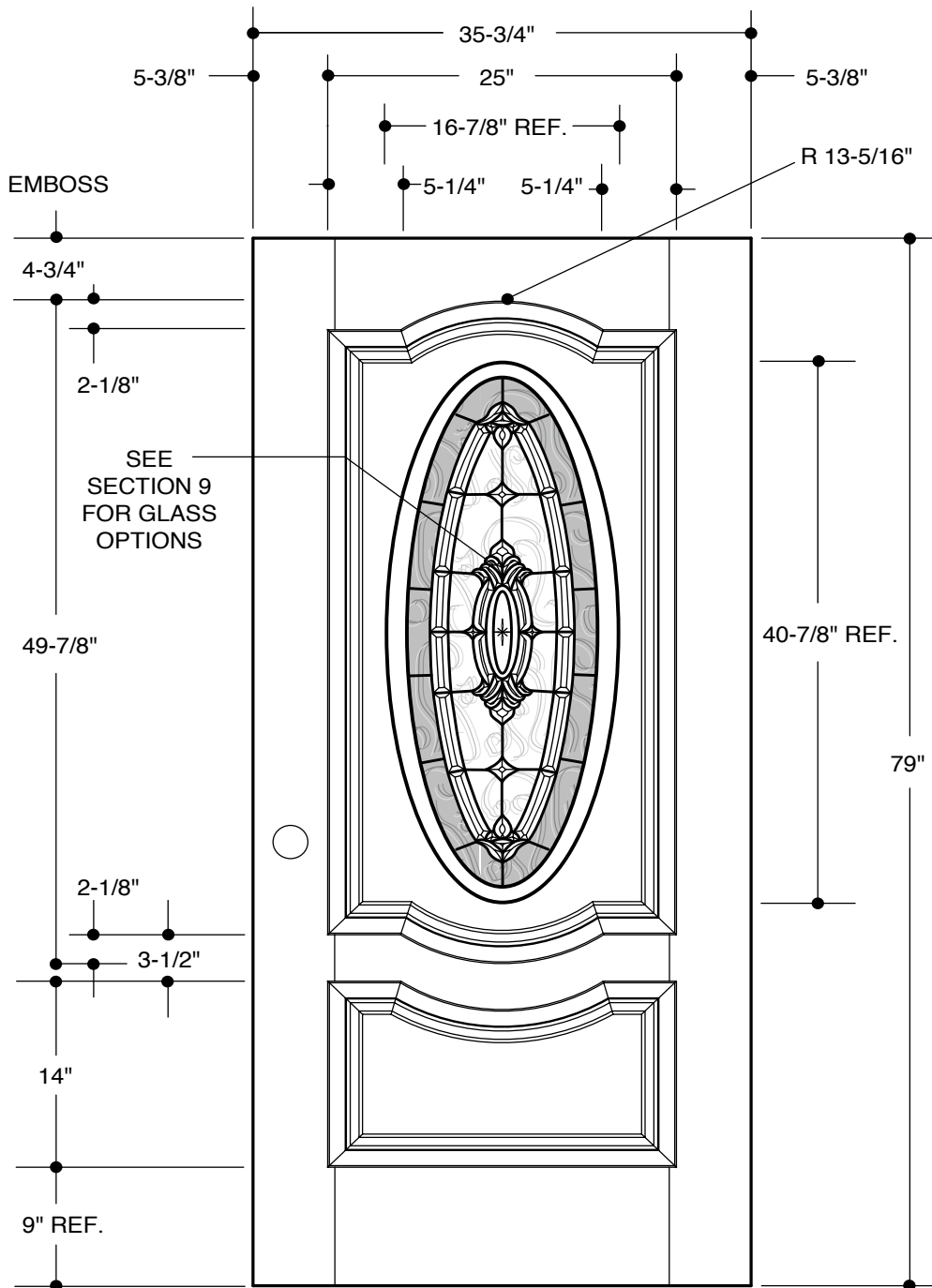


	SEE ELEVATION VIEW FOR DETAIL	3'0"

PART NO.	QTY.	DESCRIPTION
		BARRINGTON® WOOD-GRAIN TEXTURED FIBERGLASS

Our continuing program of product improvement makes specifications, design and product detail subject to change without notice.

**2-PANEL WITH 3/4
OVAL INSERT**



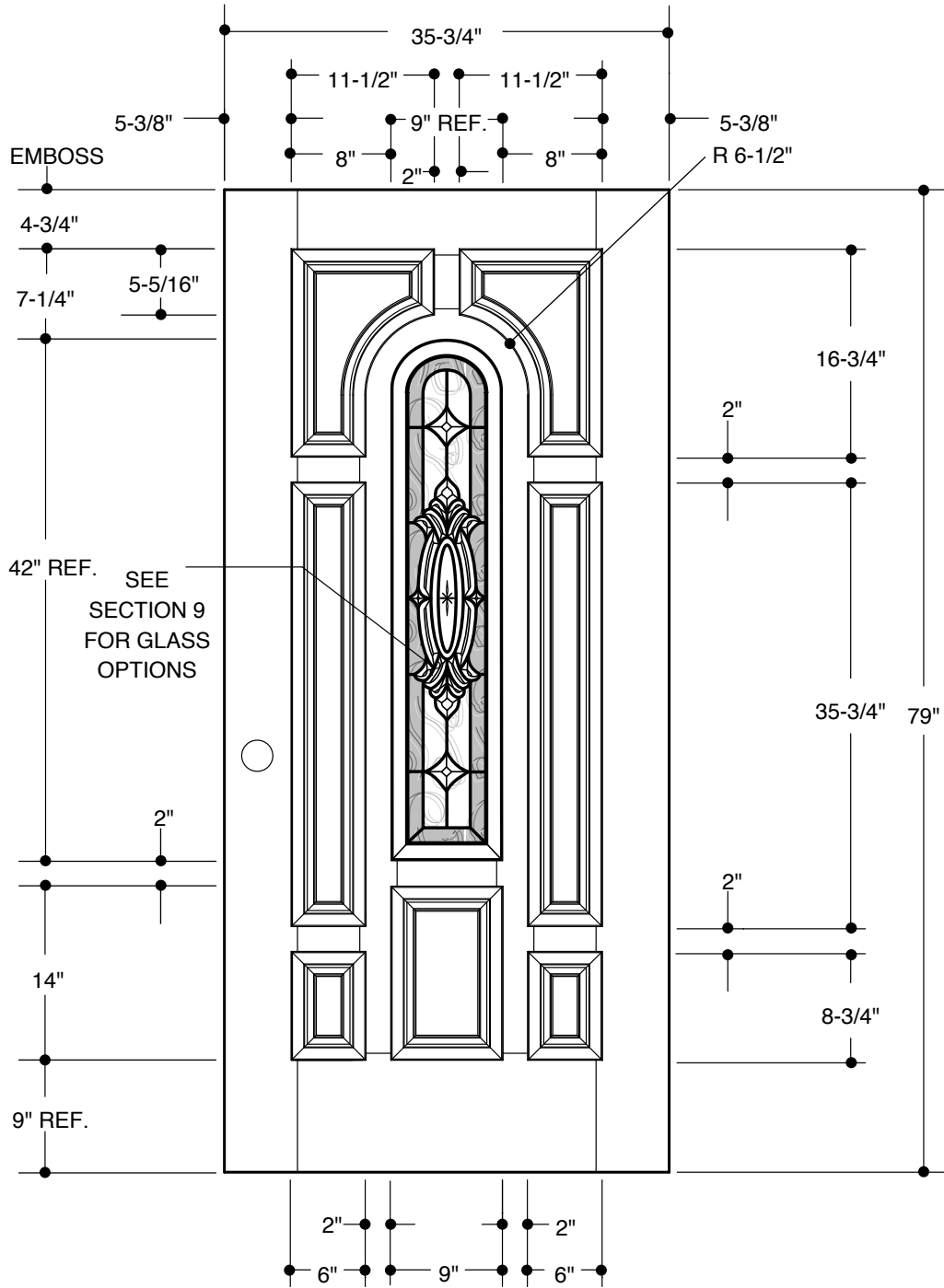
	SEE ELEVATION VIEW FOR DETAIL	3'0"

Please Note:
1. Available as Oak or Mahogany Wood-Grain Texture.

PART NO.	QTY.	DESCRIPTION
		BARRINGTON® WOOD-GRAIN TEXTURED FIBERGLASS

Our continuing program of product improvement makes specifications, design and product detail subject to change without notice.

**PARLIAMENT 8-PANEL
WITH CENTER ARC INSERT**

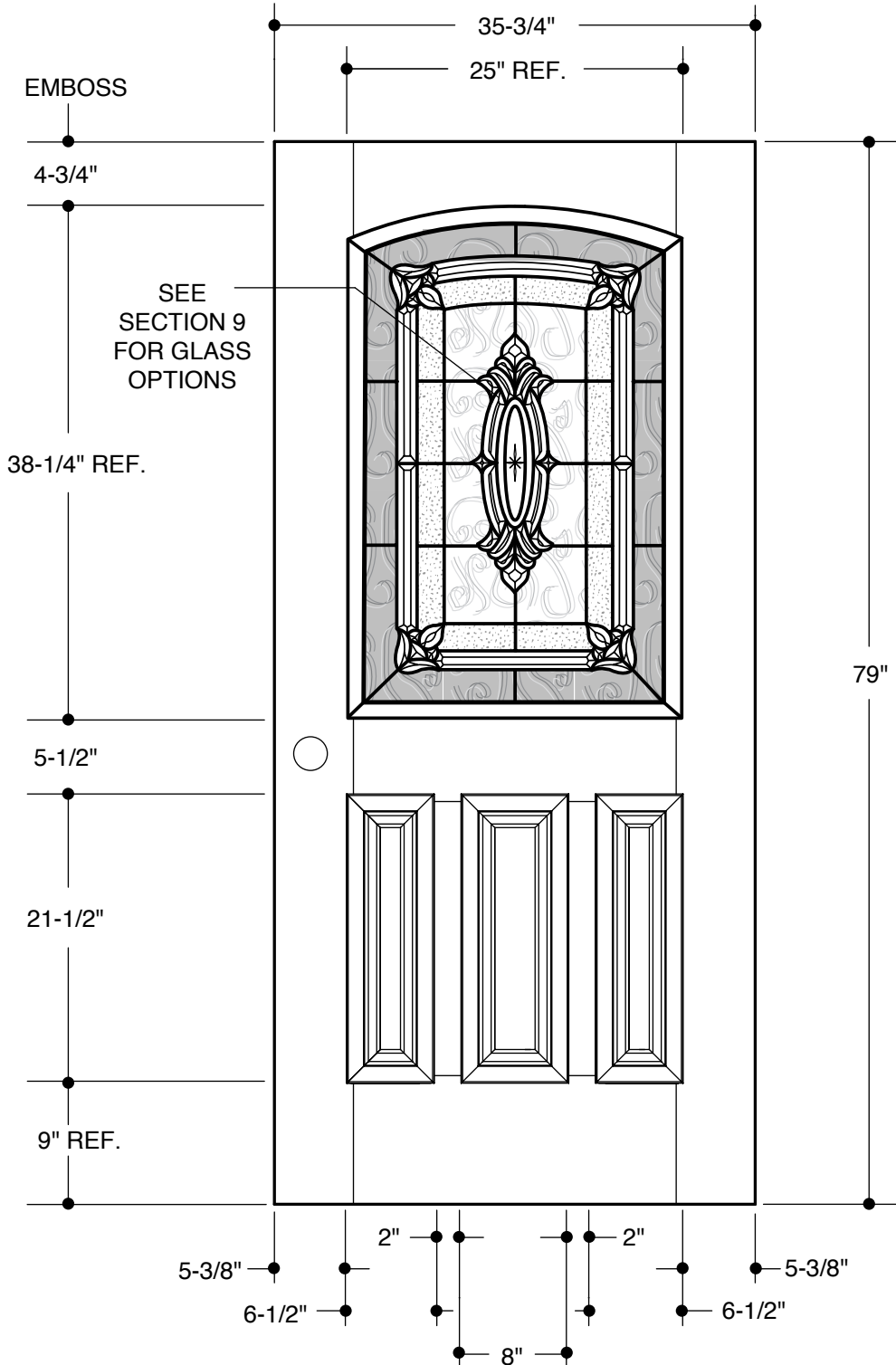


	SEE ELEVATION VIEW FOR DETAIL	3'0"

PART NO.	QTY.	DESCRIPTION
		BARRINGTON® WOOD-GRAIN TEXTURED FIBERGLASS

Our continuing program of product improvement makes specifications, design and product detail subject to change without notice.

**3-PANEL WITH 1/2
CAMBER TOP INSERT**

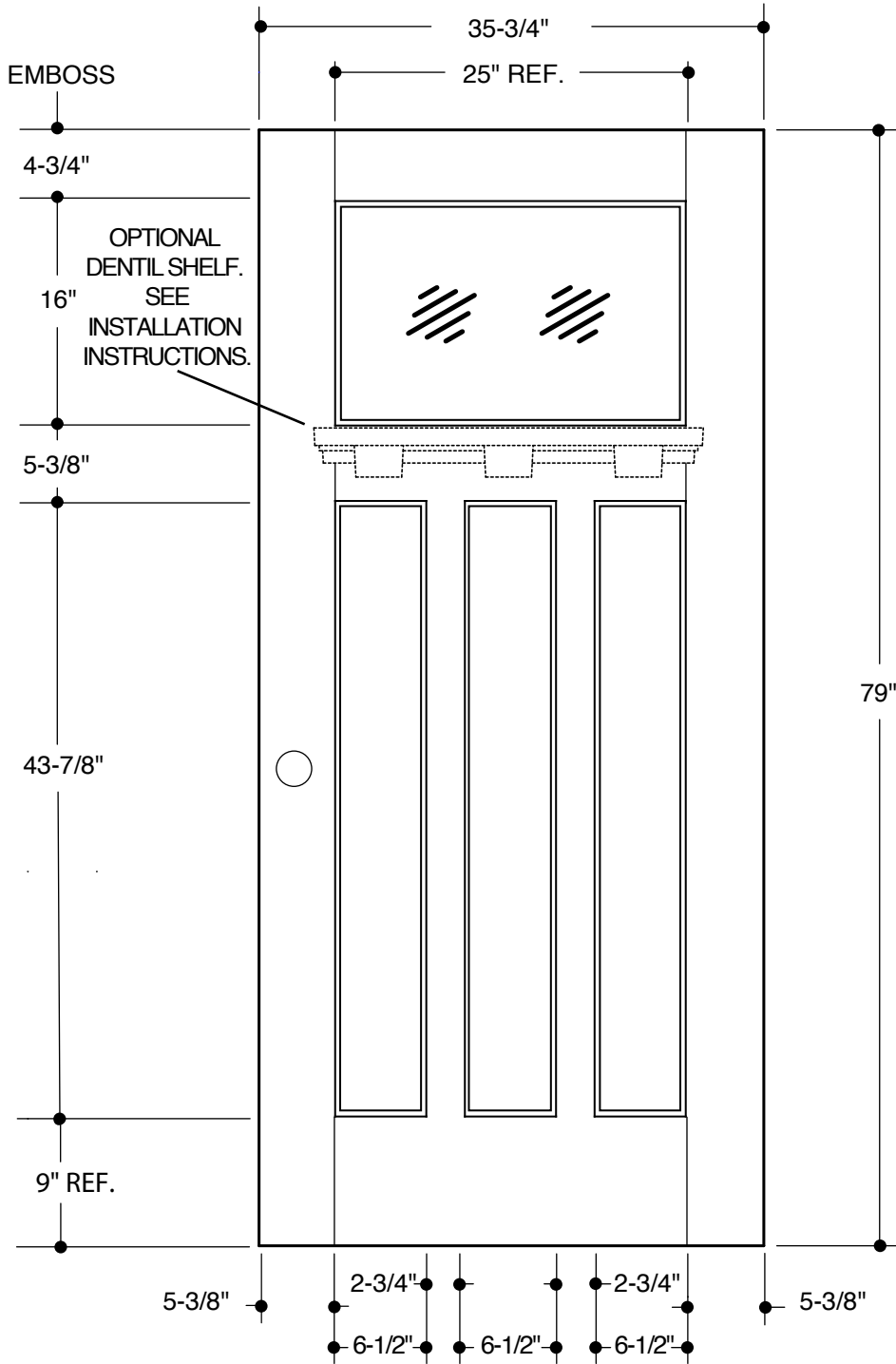


	SEE ELEVATION VIEW FOR DETAIL	3'0"

PART NO.	QTY.	DESCRIPTION
		BARRINGTON® WOOD-GRAIN TEXTURED FIBERGLASS

Our continuing program of product improvement makes specifications, design and product detail subject to change without notice.

**3-PANEL WITH 1/4
RECTANGULAR INSERT**



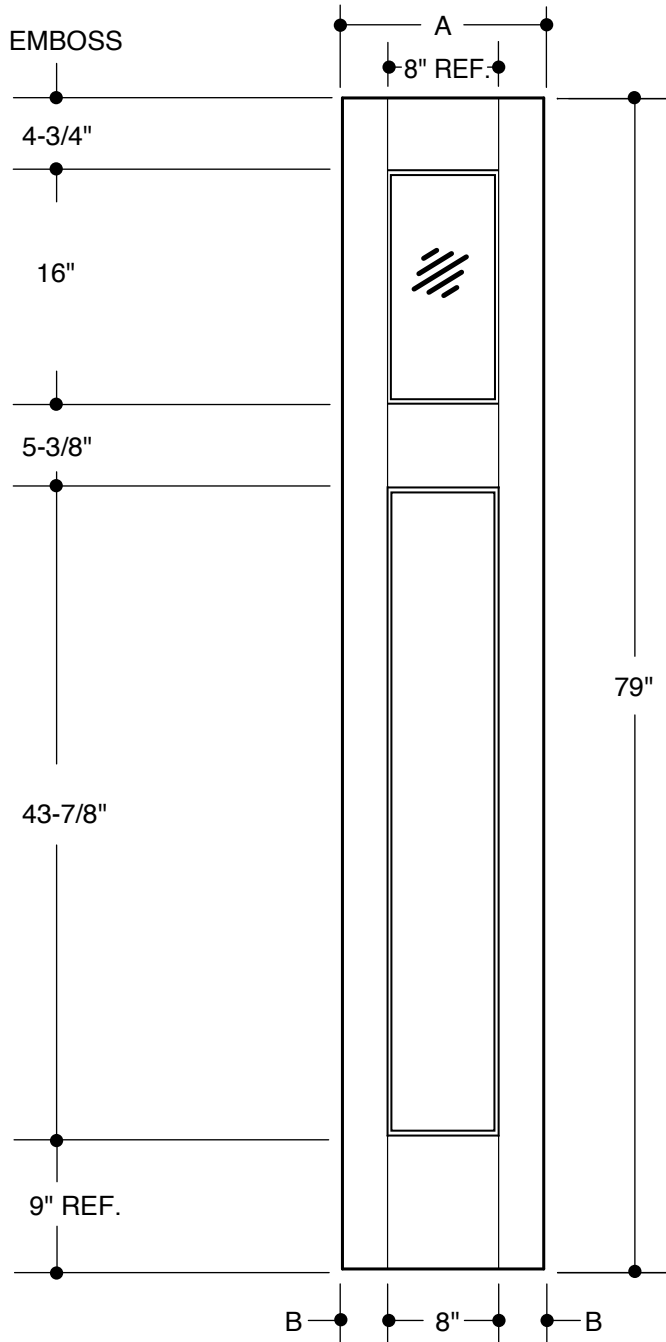
	SEE ELEVATION VIEW FOR DETAIL	3'0"

Please Note: Available as Oak or Mahogany Wood-Grain Textured.

PART NO.	QTY.	DESCRIPTION
		BARRINGTON® CRAFTSMAN WOOD-GRAIN TEXTURED FIBERGLASS

Our continuing program of product improvement makes specifications, design and product detail subject to change without notice.

1-PANEL WITH 1/4 INSERT



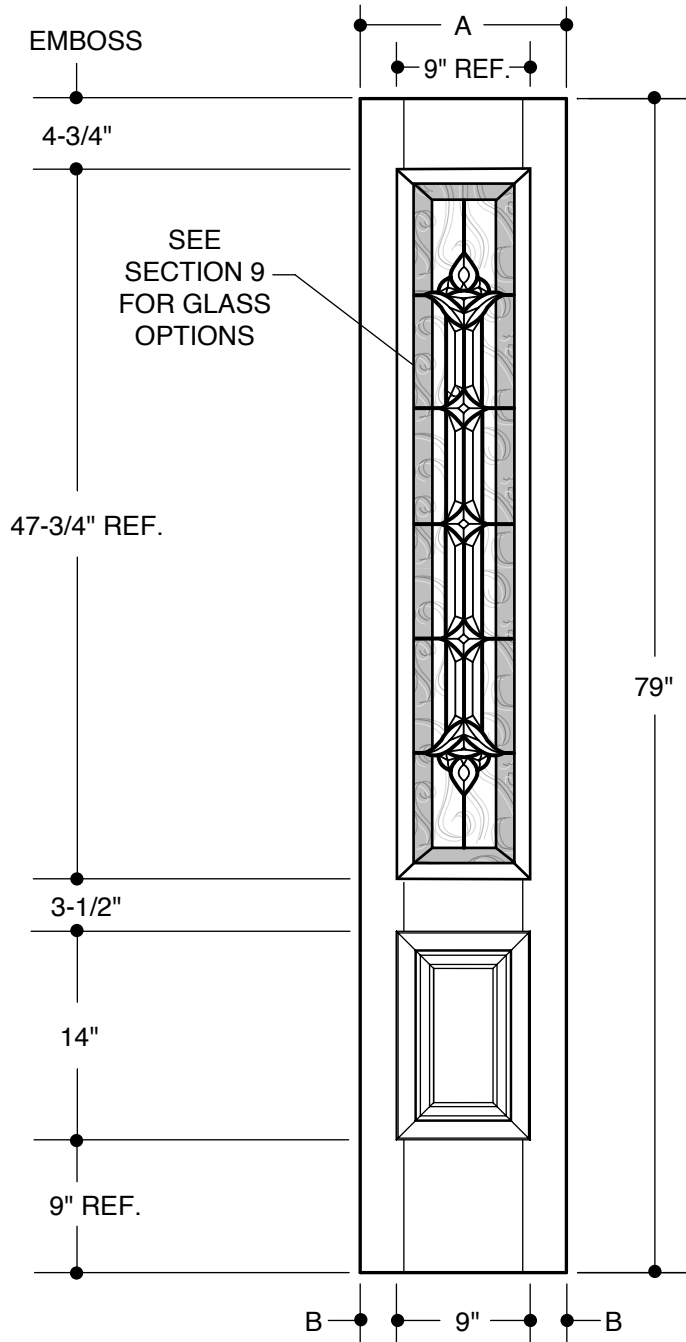
	A	11-7/8"	12"
	B	1-15/16"	
	A	13-7/8"	14"
	B	2-15/16"	

Please Note:
 1. Available as Oak or Mahogany Wood-Grain Textured.

PART NO.	QTY.	DESCRIPTION
		BARRINGTON® CRAFTSMAN WOOD-GRAIN TEXTURED FIBERGLASS SIDELITE

Our continuing program of product improvement makes specifications, design and product detail subject to change without notice.

1-PANEL WITH 3/4 INSERT

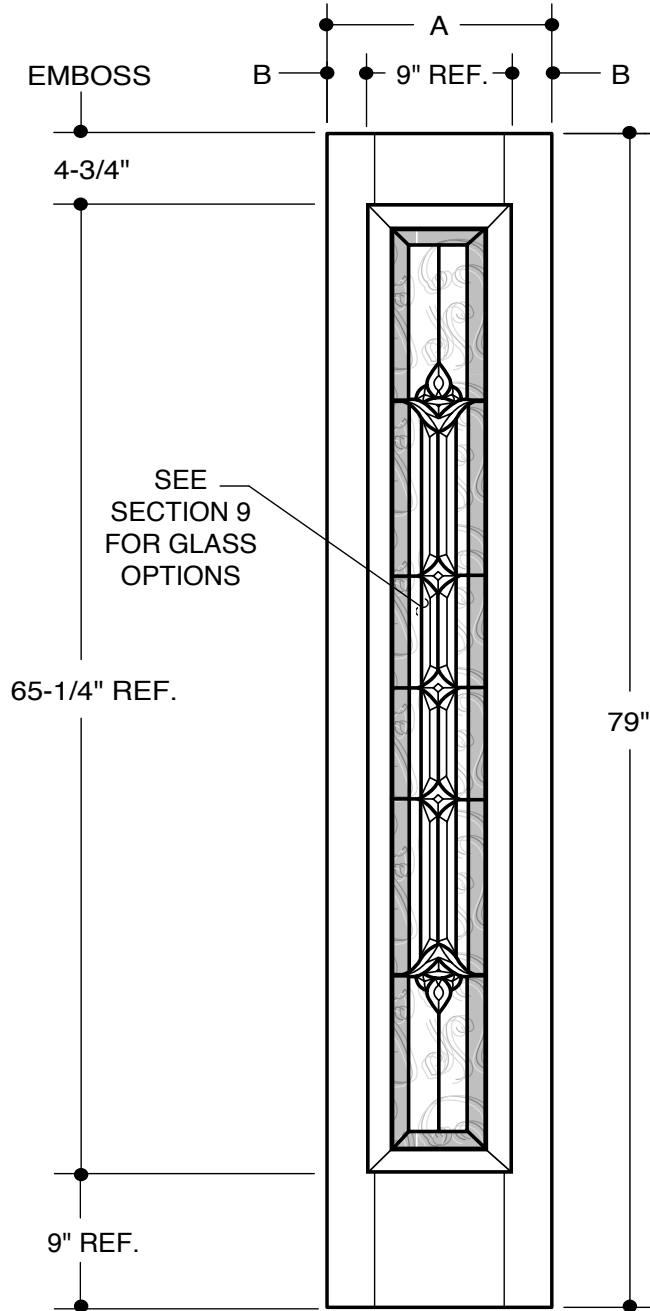


	A	11-7/8"	12"
	B	1-7/16"	
	A	13-7/8"	14"
	B	2-7/16"	

Please Note:
 1. Available as Oak or Mahogany Wood-Grain Texture.

PART NO.	QTY.	DESCRIPTION
		BARRINGTON® WOOD-GRAIN TEXTURED FIBERGLASS SIDELITE

Our continuing program of product improvement makes specifications, design and product detail subject to change without notice.



FULL LITE INSERT

	A	11-7/8"	12"
	B	1-7/16" REF.	
	A	13-7/8"	14"
	B	2-7/16" REF.	

PART NO.	QTY.	DESCRIPTION
		BARRINGTON® WOOD-GRAIN TEXTURED FIBERGLASS SIDELITE

Our continuing program of product improvement makes specifications, design and product detail subject to change without notice.