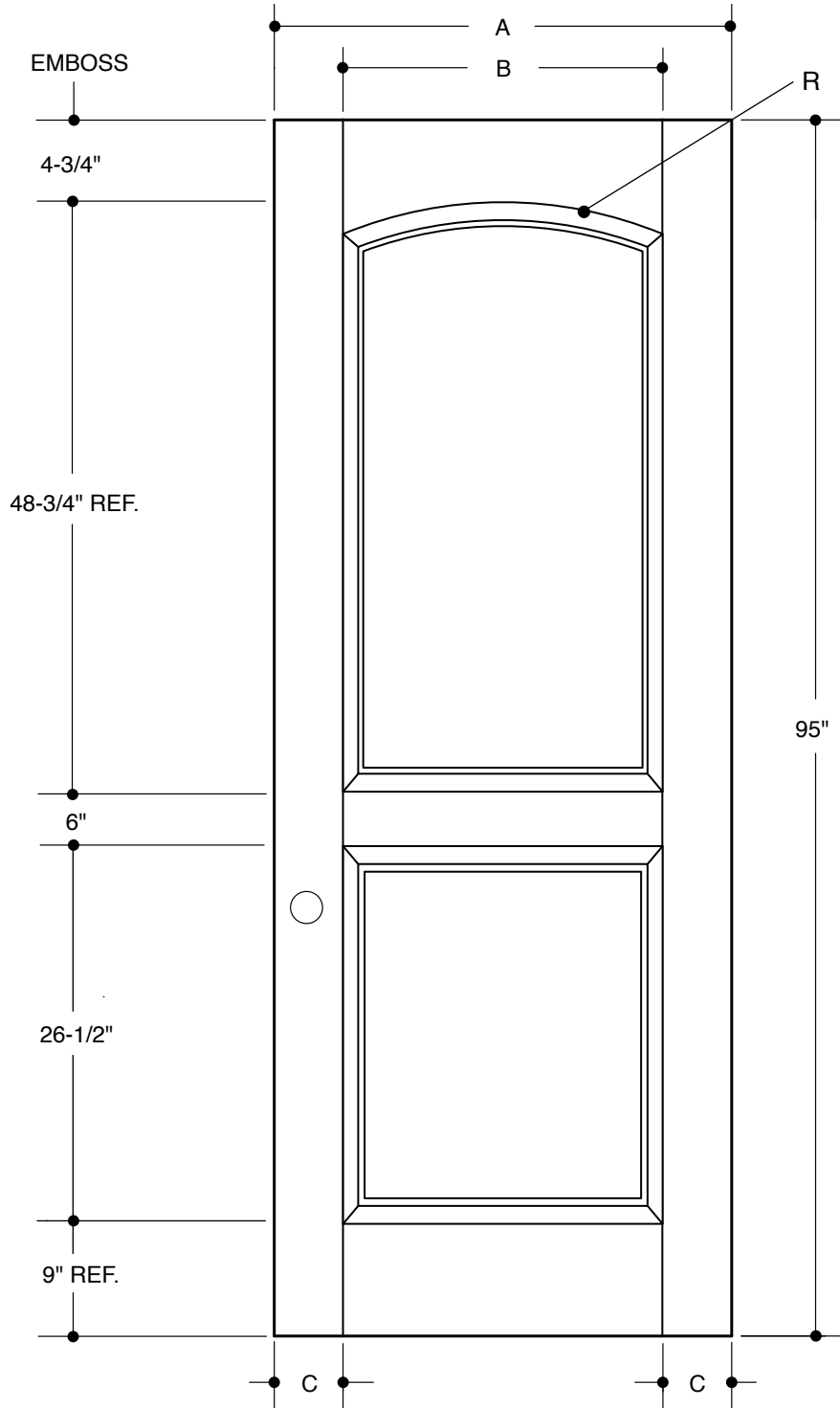


**2-PANEL
CAMBER TOP**

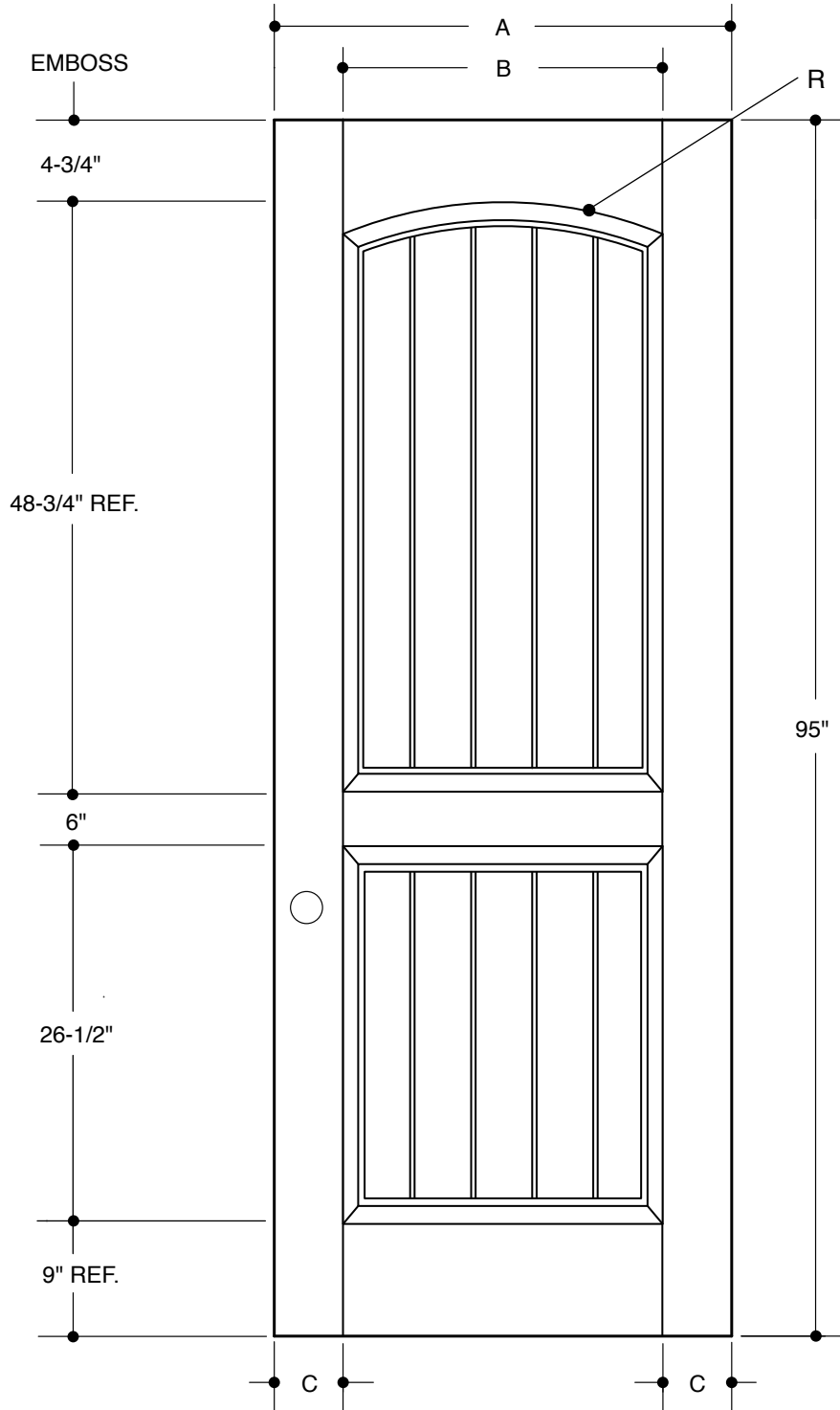


A	35-3/4"	3'0"	
B	25" REF.		
C	5-3/8"		
R	32-1/2"		
		3'6"	
A	41-3/4"		
B	29-3/4" REF.		
C	6"		
R	38-3/8"		

PART NO.	QTY.	DESCRIPTION
		BARRINGTON® SIERRA™ 8'0" WOOD-GRAIN TEXTURED FIBERGLASS

Our continuing program of product improvement makes specifications, design and product detail subject to change without notice.

**2-PANEL
CAMBER TOP PLANK**

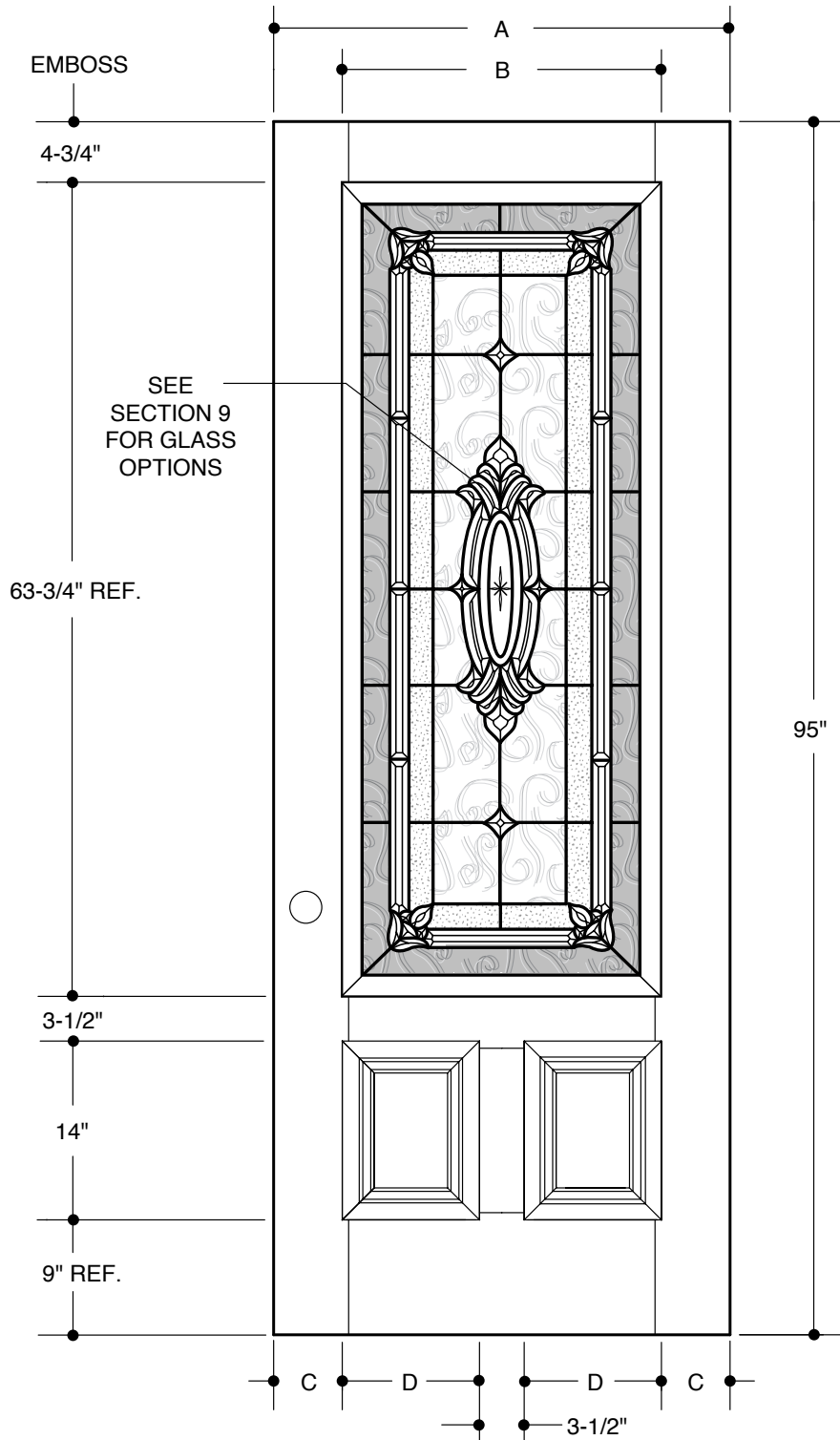


A	35-3/4"	3'0"
B	25" REF.	
C	5-3/8"	
R	32-1/2"	
A	41-3/4"	3'6"
B	29-3/4" REF.	
C	6"	
R	38-3/8"	

PART NO.	QTY.	DESCRIPTION
		BARRINGTON® SIERRA™ 8'0" WOOD-GRAIN TEXTURED FIBERGLASS

Our continuing program of product improvement makes specifications, design and product detail subject to change without notice.

**2-PANEL WITH 3/4
RECTANGULAR INSERT**

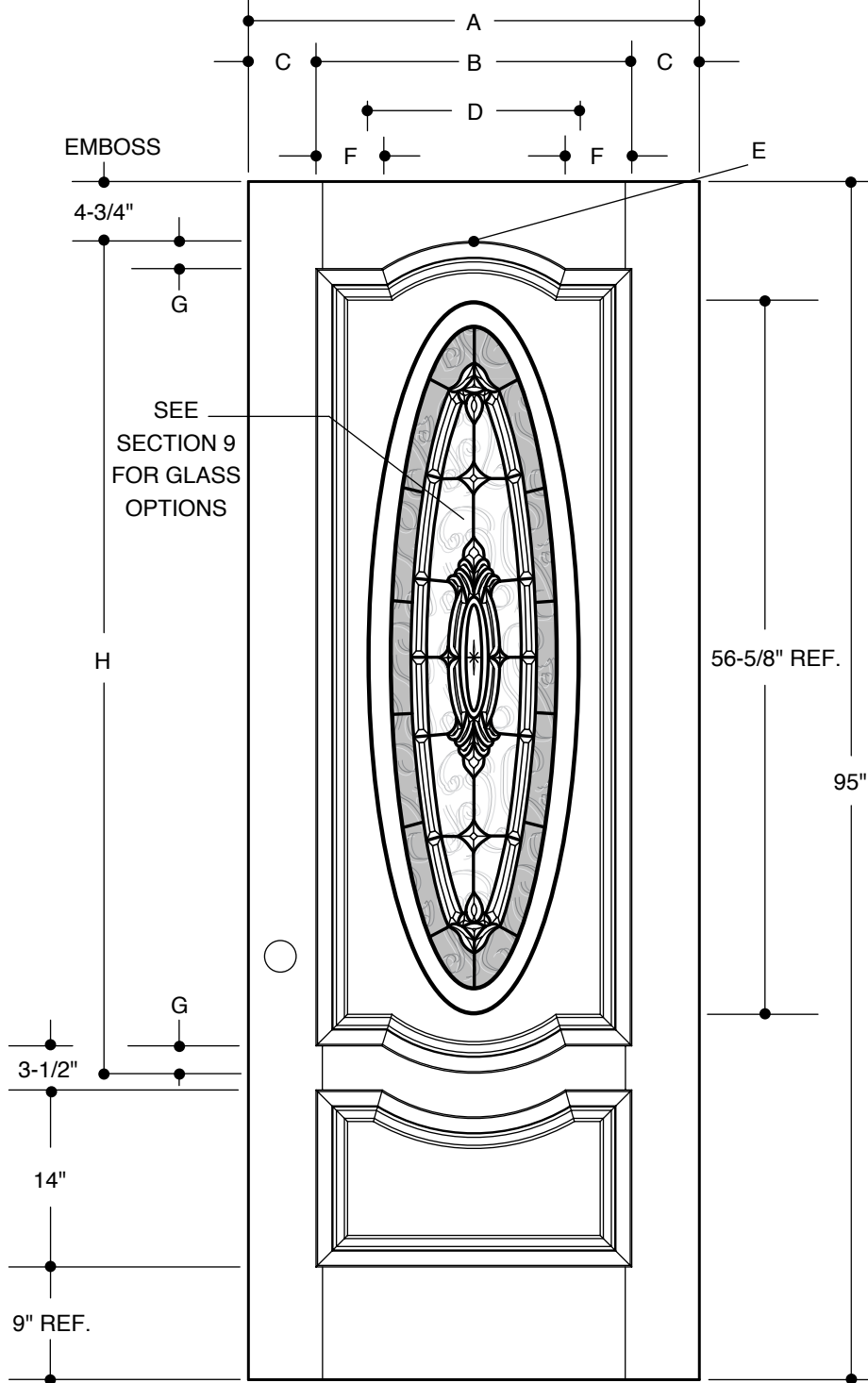


		3'0"
A	35-3/4"	
B	25" REF.	
C	5-3/8"	
D	10-3/4"	
		3'6"
A	41-3/4"	
B	29-3/4" REF.	
C	6"	
D	13-1/8"	

PART NO.	QTY.	DESCRIPTION
		BARRINGTON® 8'0" WOOD-GRAIN TEXTURED FIBERGLASS

Our continuing program of product improvement makes specifications, design and product detail subject to change without notice.

**2-PANEL WITH 3/4
OVAL INSERT**



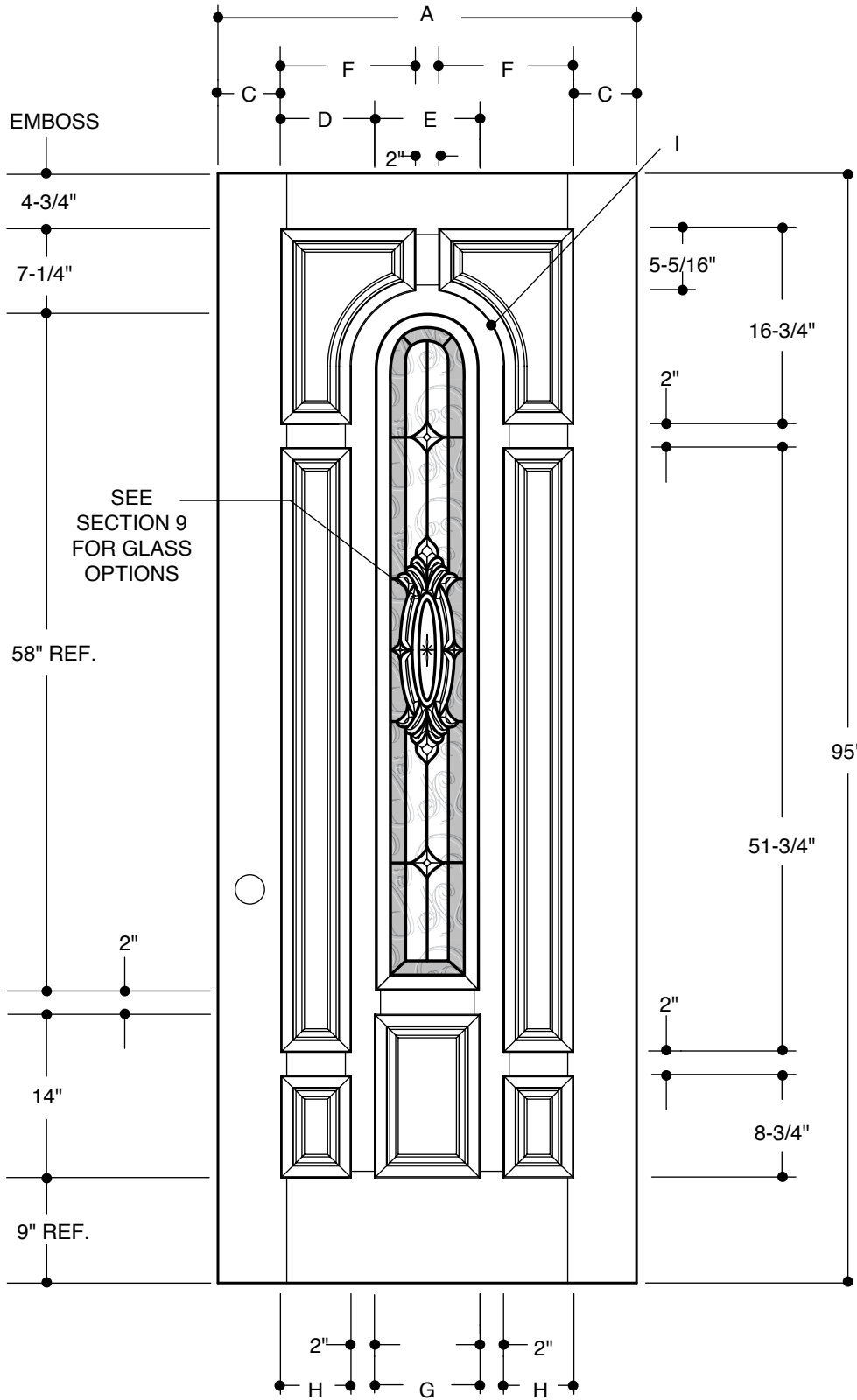
Please Note:
1. Available as Oak or Mahogany Wood-Grain Texture.

PART NO.	QTY.	DESCRIPTION
		BARRINGTON® 8'0" WOOD-GRAIN TEXTURED FIBERGLASS

A	35-3/4"	3'0"
B	25"	
C	5-3/8"	
D	16-7/8" REF.	
E	R 13-5/16"	
F	5-1/4"	
G	2-1/8"	
H	65-7/8"	
A	41-3/4"	3'6"
B	29-3/4"	
C	6"	
D	19-1/4" REF.	
E	R 17-25/32"	
F	6-11/32"	
G	2-1/8"	
H	65-7/8"	

Our continuing program of product improvement makes specifications, design and product detail subject to change without notice.

PARLIAMENT 8-PANEL WITH CENTER ARC INSERT

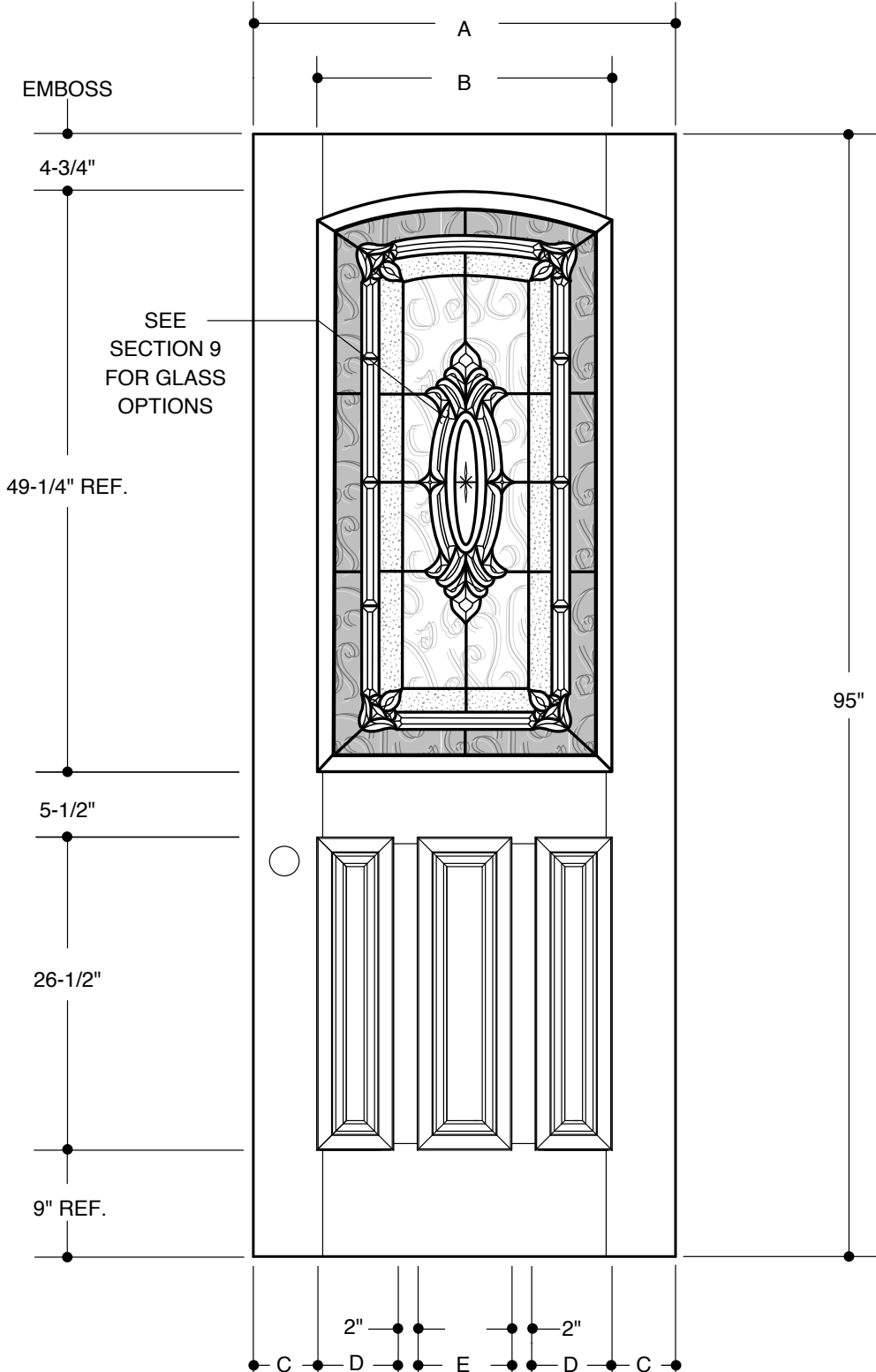


		3'0"	
A	35-3/4"	3'0"	
B	25"		
C	5-3/8"		
D	8"		
E	9" REF.		
F	11-1/2"		
G	9"		
H	6"		
I	R 6-1/2"		
		3'6"	
A	41-3/4"	3'6"	
B	29-3/4"		
C	6"		
D	9-1/8"		
E	11-1/2" REF.		
F	13-7/8"		
G	11-1/2"		
H	7-1/8"		
I	R 7-3/4"		

PART NO.	QTY.	DESCRIPTION
		BARRINGTON® 8'0" WOOD-GRAIN TEXTURED FIBERGLASS

Our continuing program of product improvement makes specifications, design and product detail subject to change without notice.

3-PANEL WITH 1/2 CAMBER TOP INSERT

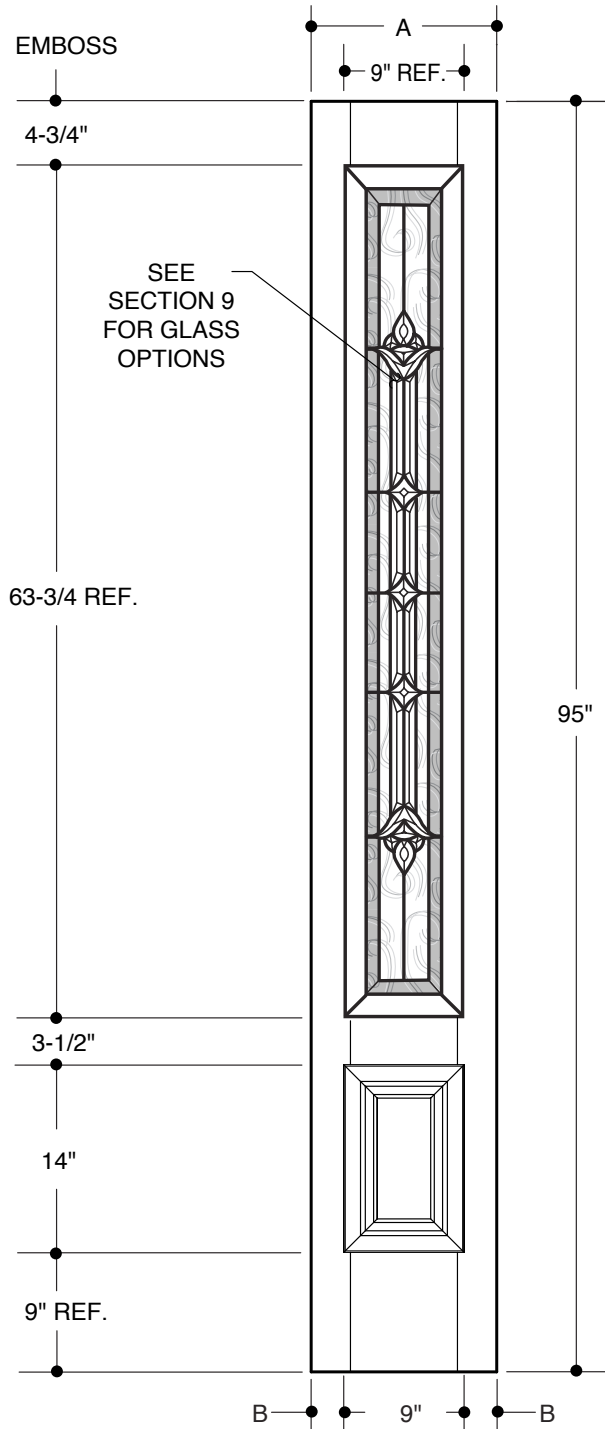


		3'0"
A	35-3/4"	
B	25" REF.	
C	5-3/8"	
D	6-1/2"	
E	8"	
		3'6"
A	41-3/4"	
B	29-3/4" REF.	
C	6"	
D	8-1/8"	
E	9-1/2"	

PART NO.	QTY.	DESCRIPTION
		BARRINGTON® 8'0" WOOD-GRAIN TEXTURED FIBERGLASS

Our continuing program of product improvement makes specifications, design and product detail subject to change without notice.

1-PANEL WITH 3/4 INSERT



	A	11-7/8"	12"
	B	1-7/16"	
	A	13-7/8"	14"
	B	2-7/16"	

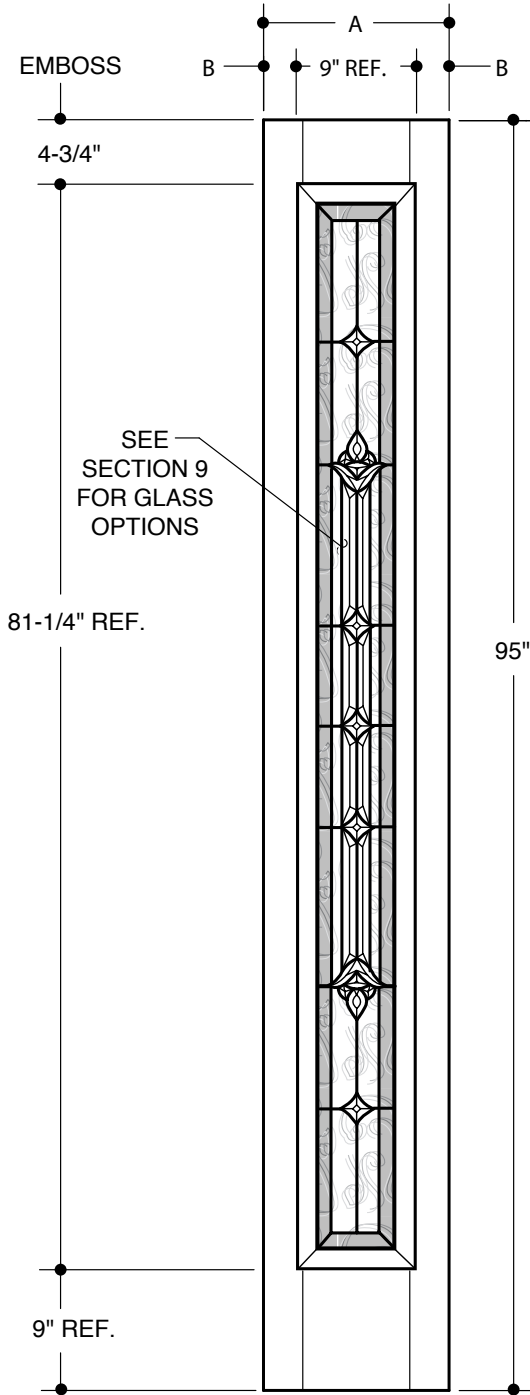
Please Note:

1. Layout matches typ. 2 panel style doors with 3/4 lite inserts.
2. Available as Oak or Mahogany Wood-Grain Texture.

PART NO.	QTY.	DESCRIPTION
		BARRINGTON® 8'0" WOOD-GRAIN TEXTURED FIBERGLASS

Our continuing program of product improvement makes specifications, design and product detail subject to change without notice.

FULL LITE INSERT

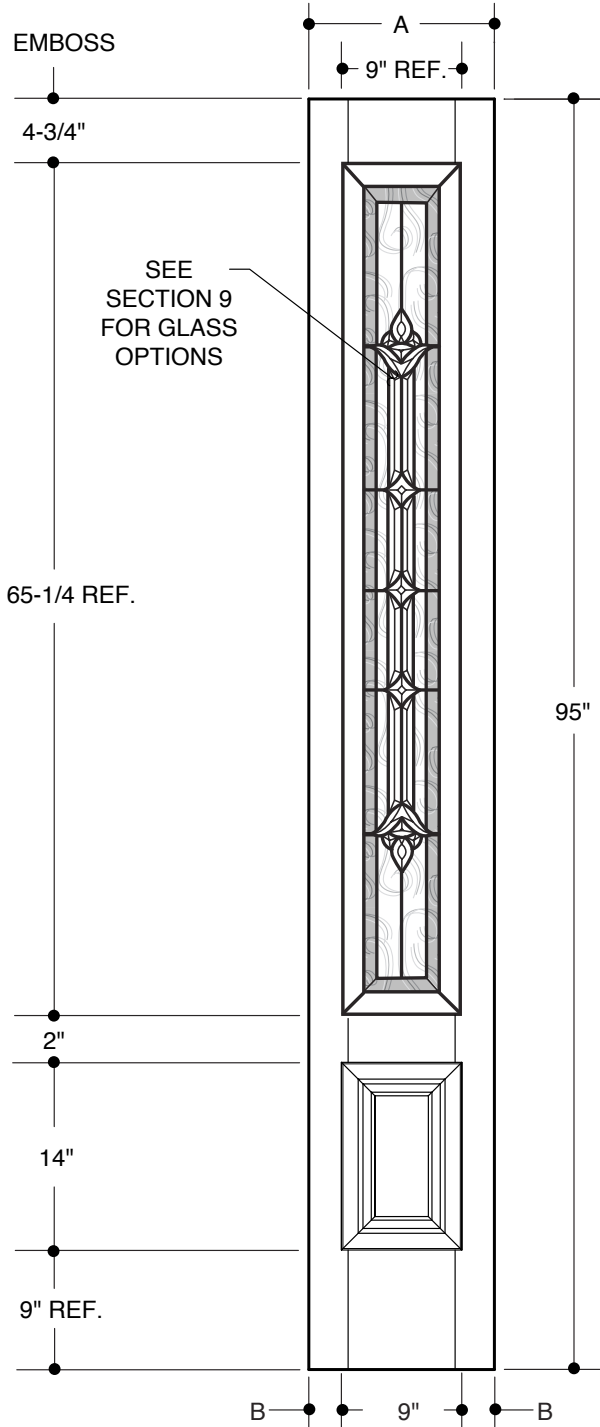


			12"
A	11-7/8"		
B	1-7/16" REF.		
			14"
A	13-7/8"		
B	2-7/16" REF.		

PART NO.	QTY.	DESCRIPTION
		BARRINGTON® 8'0" WOOD-GRAIN TEXTURED FIBERGLASS

Our continuing program of product improvement makes specifications, design and product detail subject to change without notice.

1-PANEL WITH 3/4 INSERT



A	11-7/8"	12"
	B	
A	13-7/8"	14"
	B	

Please Note:

- 1. Layout matches parliament 8 panel door.

PART NO.	QTY.	DESCRIPTION
		BARRINGTON® 8'0" WOOD-GRAIN TEXTURED FIBERGLASS

Our continuing program of product improvement makes specifications, design and product detail subject to change without notice.