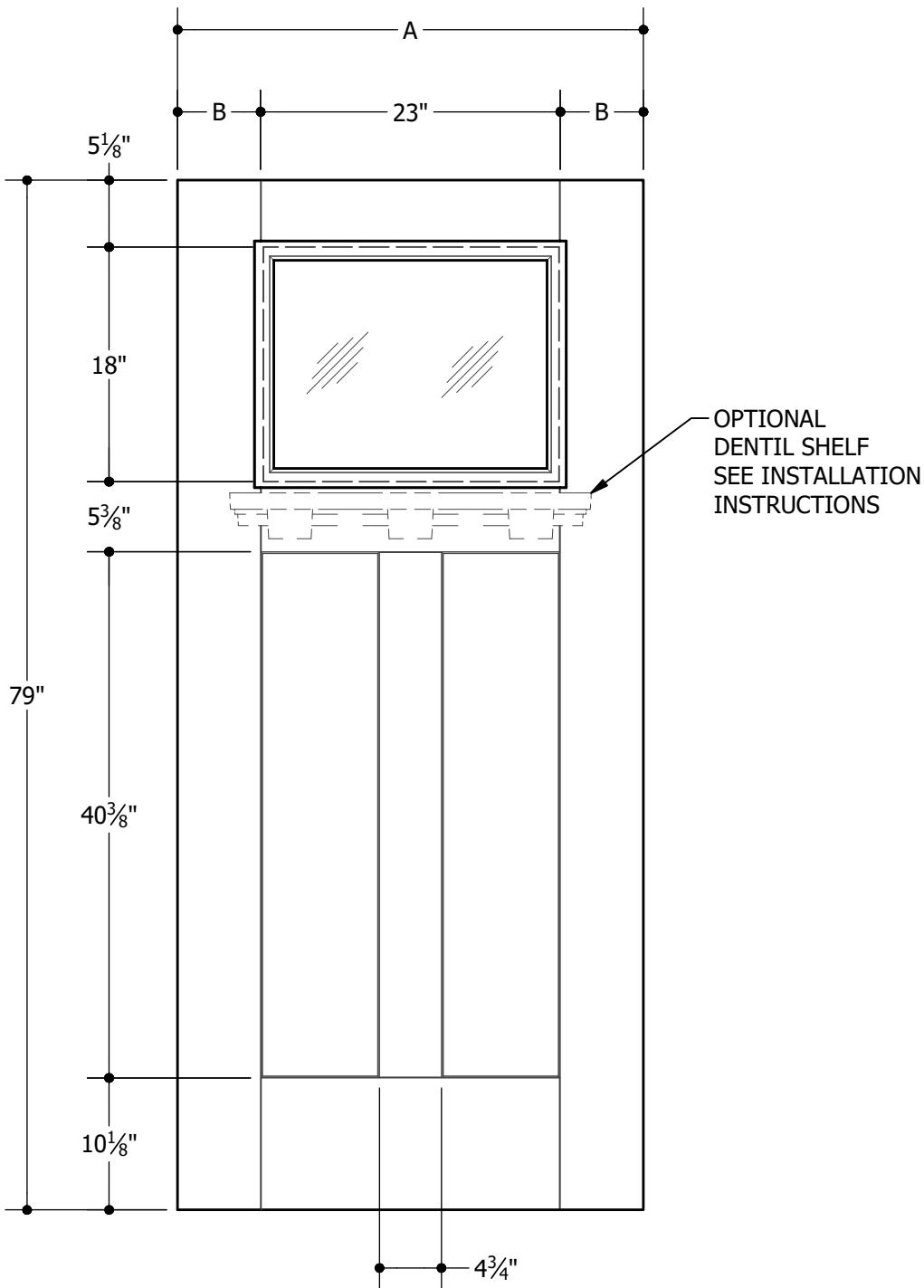


HERITAGE CRAFTSMAN® 3P with 1/4 LITE 6'8"
MASONITE™ SPEC*



6'8"	A	31-3/4"	2'8"
	B	4-3/8"	
6'8"	A	33-3/4"	2'10"
	B	5-3/8"	
6'8"	A	35-3/4"	3'0"
	B	6-3/8"	

Note:

1. Overall Length and Width Dimensions are +/- 1/16 inch
2. Available as Smooth or Fir Wood-Grain Textured
3. Available with Wood Edge or CET Edge

*Available as Prem Spec

www.masonite.com

© 2017 Masonite International Corporation. All Rights Reserved.

Our continuing program of product improvement makes specifications, design and product detail subject to change without notice.

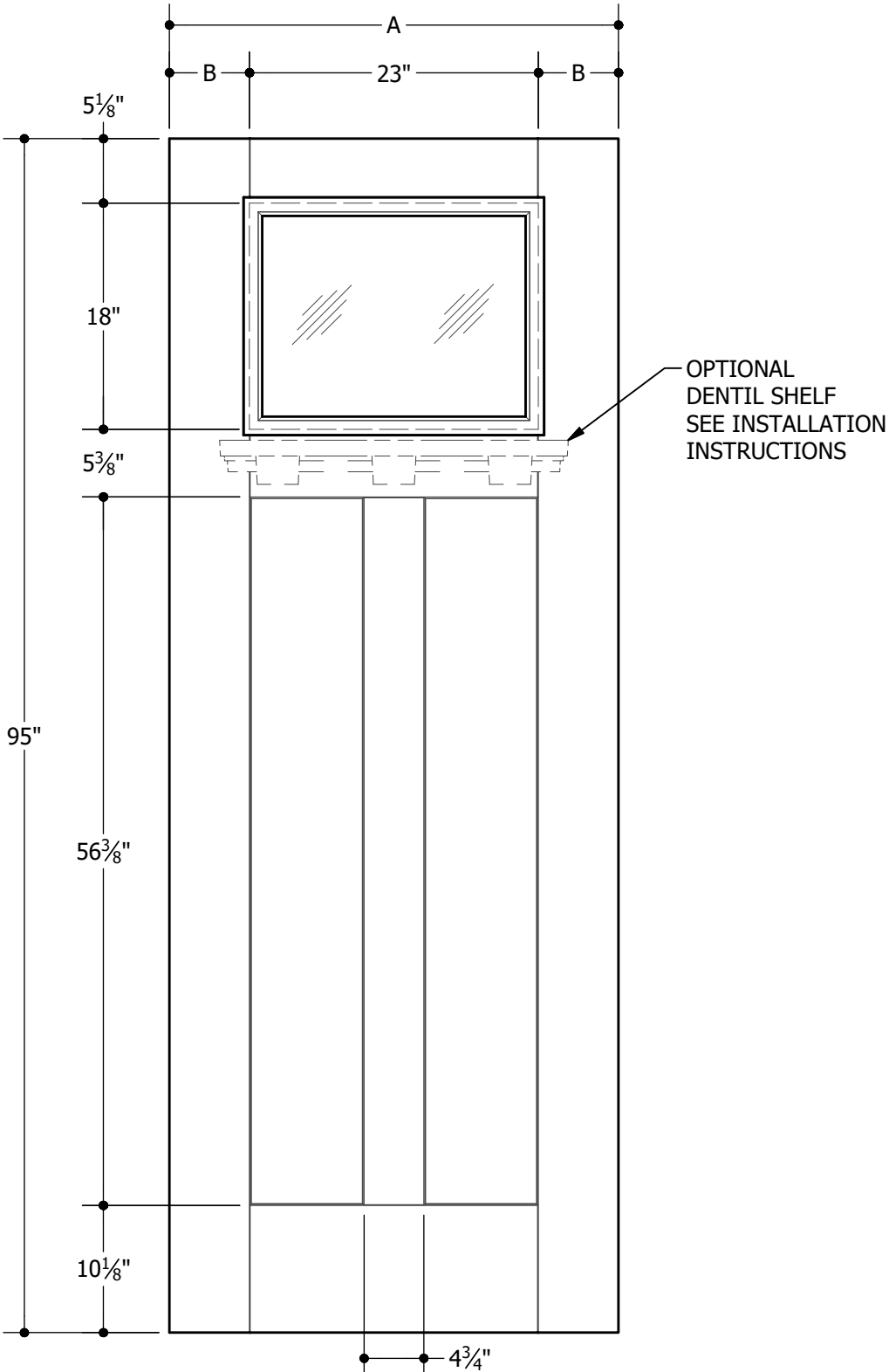
Filename: TM-H CRFT-3P-GL-68 003

Revision: A

Date: 01-11-2017

Section XX XX.X.X

HERITAGE CRAFTSMAN® 3P with 1/4 LITE 8'0"
MASONITE™ SPEC*



8'0"	A	31-3/4"	2'8"
	B	4-3/8"	
8'0"	A	33-3/4"	2'10"
	B	5-3/8"	
8'0"	A	35-3/4"	3'0"
	B	6-3/8"	

Note:

1. Overall Length and Width Dimensions are +/- 1/16 inch
2. Available as Smooth or Fir Wood-Grain Textured
3. Available with Wood Edge or CET Edge

*Available as Prem Spec

www.masonite.com

© 2017 Masonite International Corporation. All Rights Reserved.

Our continuing program of product improvement makes specifications, design and product detail subject to change without notice.

Filename: TM-H CRFT-3P-GL-80 004

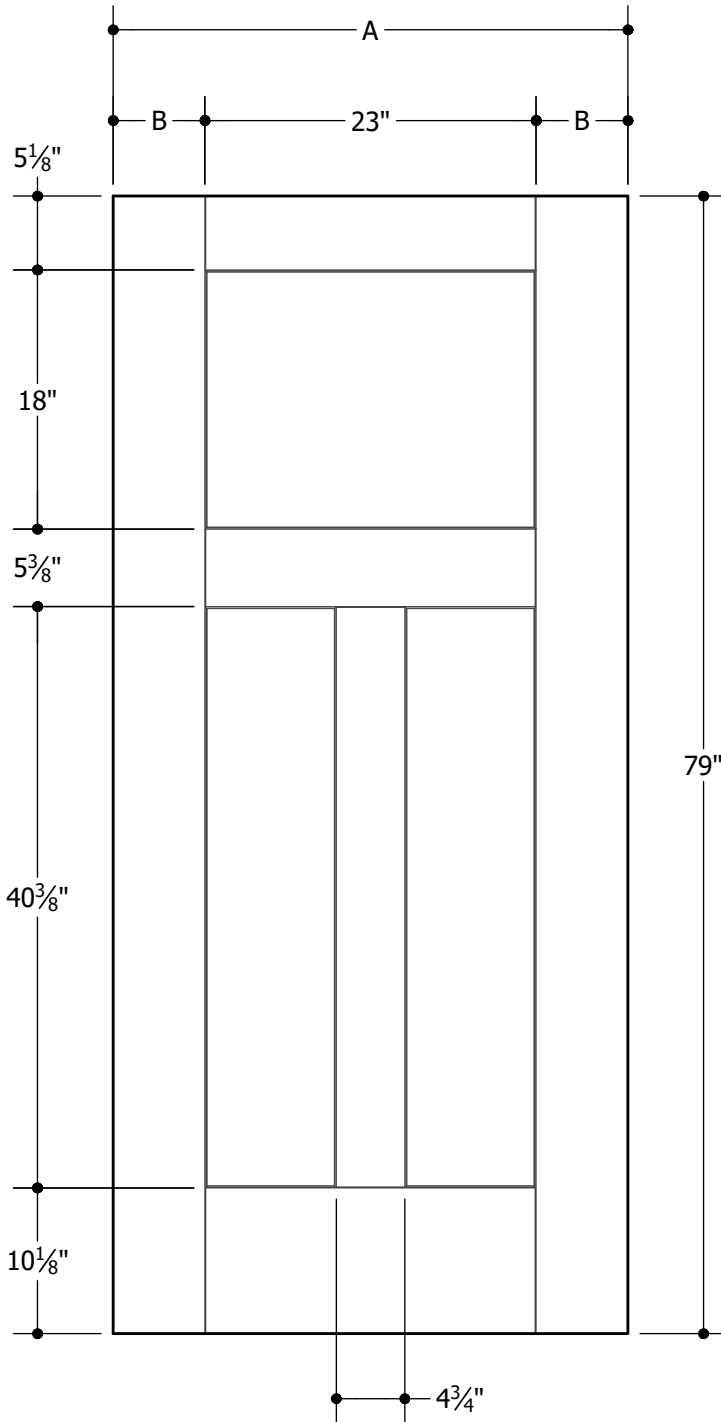
Revision: A

Date: 01-11-2017

Section XX XX.X.X



HERITAGE CRAFTSMAN® 3P 6'8"
MASONITE™ SPEC*

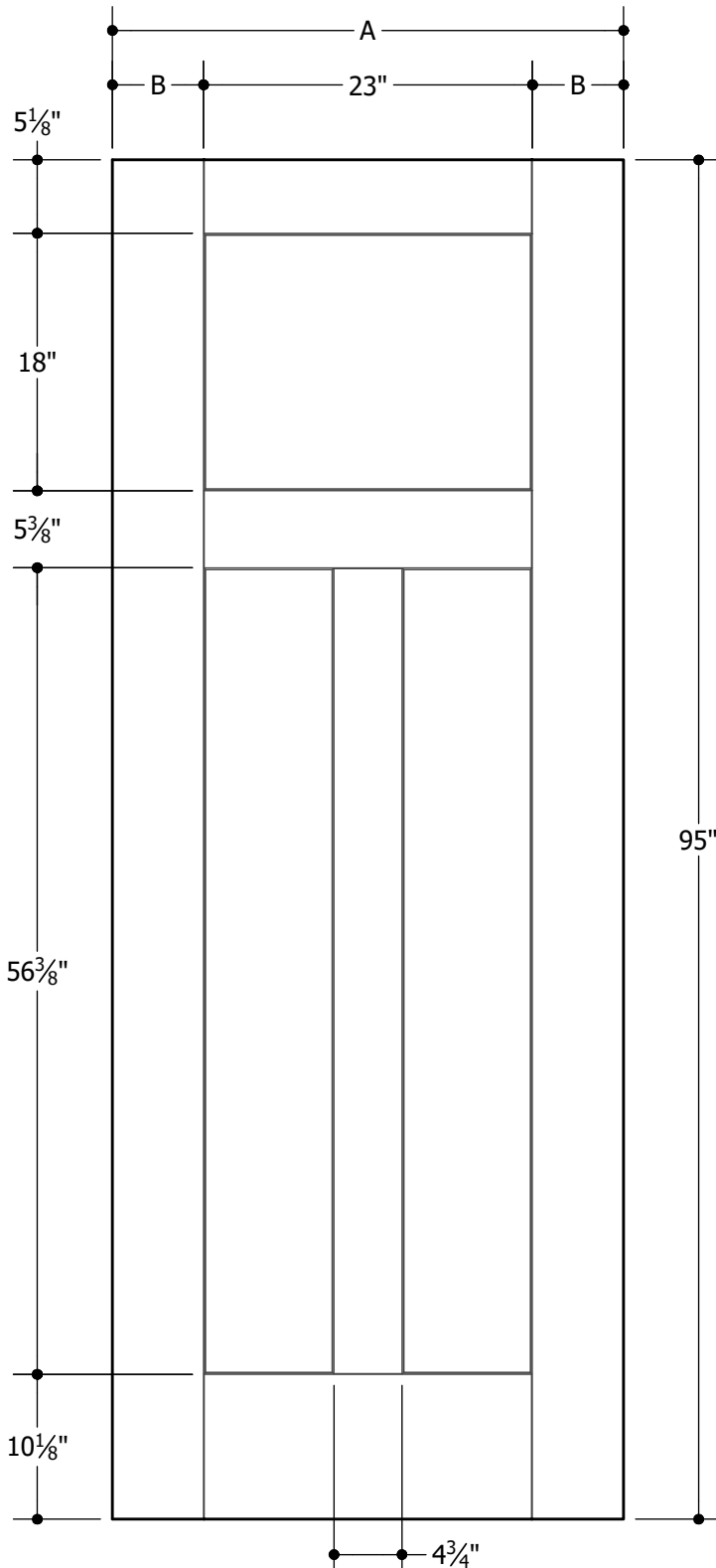


6'8"	A	31-3/4"	2'8"
	B	4-3/8"	
6'8"	A	33-3/4"	2'10"
	B	5-3/8"	
6'8"	A	35-3/4"	3'0"
	B	6-3/8"	

Note:

1. Overall Length and Width Dimensions are +/- 1/16 inch
2. Available as Smooth or Fir Wood-Grain Textured
3. Available with Wood Edge or CET Edge

*Available as Prem Spec
www.masonite.com

HERITAGE CRAFTSMAN® 3P 8'0"
 MASONITE™ SPEC*


8'0"	A	31-3/4"	2'8"
	B	4-3/8"	
8'0"	A	33-3/4"	2'10"
	B	5-3/8"	
8'0"	A	35-3/4"	3'0"
	B	6-3/8"	

Note:

1. Overall Length and Width Dimensions are +/- 1/16 inch
2. Available as Smooth or Fir Wood-Grain Textured
3. Available with Wood Edge or CET Edge

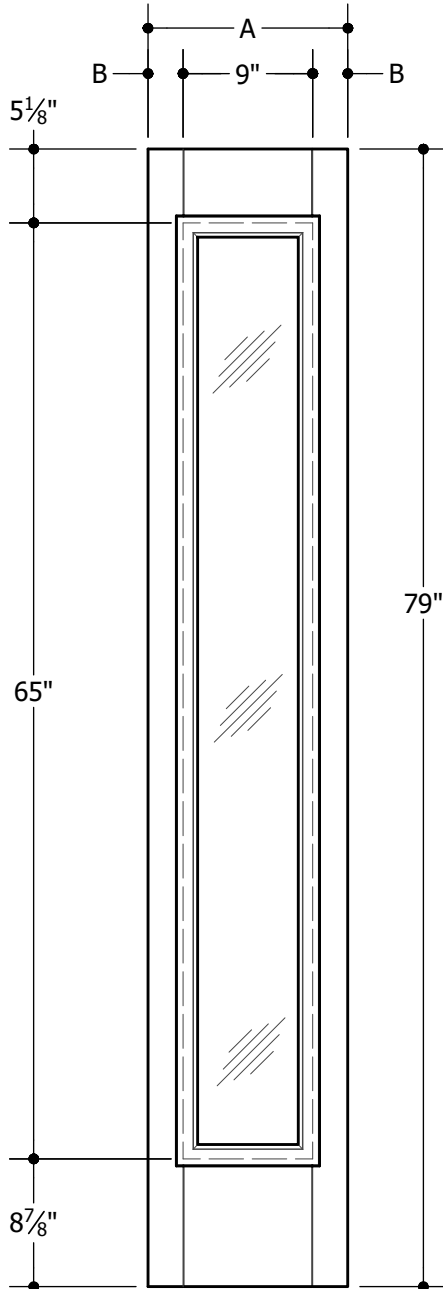
*Available as Prem Spec
www.masonite.com

© 2017 Masonite International Corporation. All Rights Reserved.

Our continuing program of product improvement makes specifications, design and product detail subject to change without notice.

Filename: TM-H CRFT-3P-OP-80 002
 Revision: A
 Date: 01-11-2017
 Section XX XX.X.X

HERITAGE CRAFTSMAN® SIDELITE with FULL LITE 6'8"
MASONITE™ SPEC*



8'0"	A	11-7/8"	1'0"
	B	1-7/16"	
8'0"	A	13-7/8"	1'2"
	B	2-7/16"	

Note:

1. Overall Length and Width Dimensions are +/- 1/16 inch
2. Available as Smooth or Fir Wood-Grain Textured

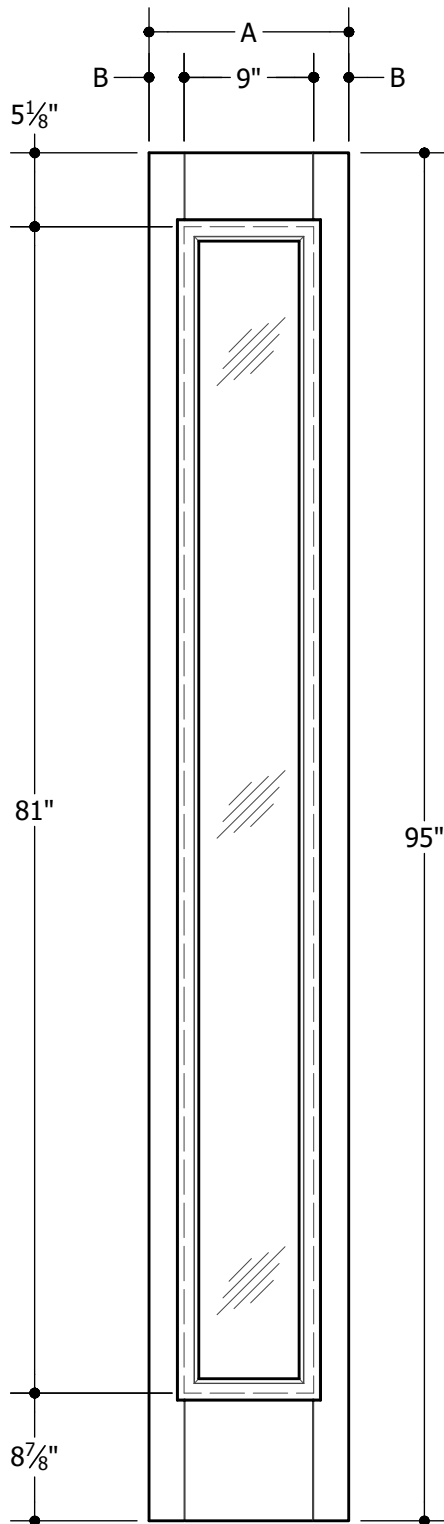
*Available as Prem Spec
www.masonite.com

© 2017 Masonite International Corporation. All Rights Reserved.

Our continuing program of product improvement makes specifications, design and product detail subject to change without notice.

Filename: TM-H CRFT-SL-FULL-68 007
Revision: A
Date: 01-11-2017
Section XX XX.X.X

HERITAGE CRAFTSMAN® SIDELITE with FULL LITE 8'0"
MASONITE™ SPEC*



8'0"	A	11-7/8"	1'0"
	B	1-7/16"	
8'0"	A	13-7/8"	1'2"
	B	2-7/16"	

Note:

1. Overall Length and Width Dimensions are +/- 1/16 inch
2. Available as Smooth or Fir Wood-Grain Textured

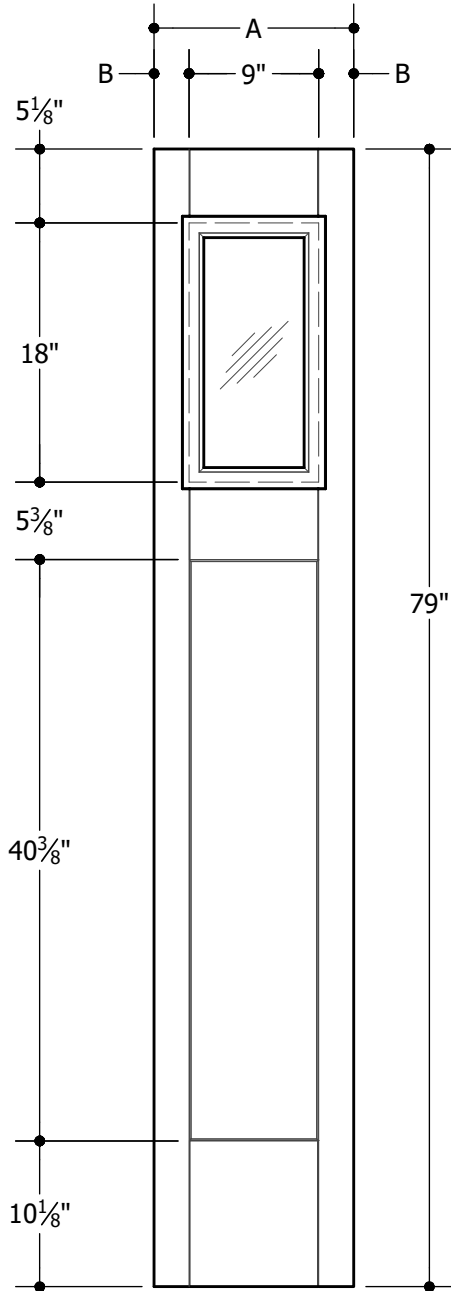
*Available as Prem Spec
www.masonite.com

© 2017 Masonite International Corporation. All Rights Reserved.

Our continuing program of product improvement makes specifications, design and product detail subject to change without notice.

Filename: TM-H CRFT-SL-FULL-80 008
 Revision: A
 Date: 01-11-2017
 Section XX XX.X.X

HERITAGE CRAFTSMAN® SIDELITE with 1/4 LITE 6'8"
MASONITE™ SPEC*



8'0"	A	11-7/8"	1'0"
	B	1-7/16"	
8'0"	A	13-7/8"	1'2"
	B	2-7/16"	

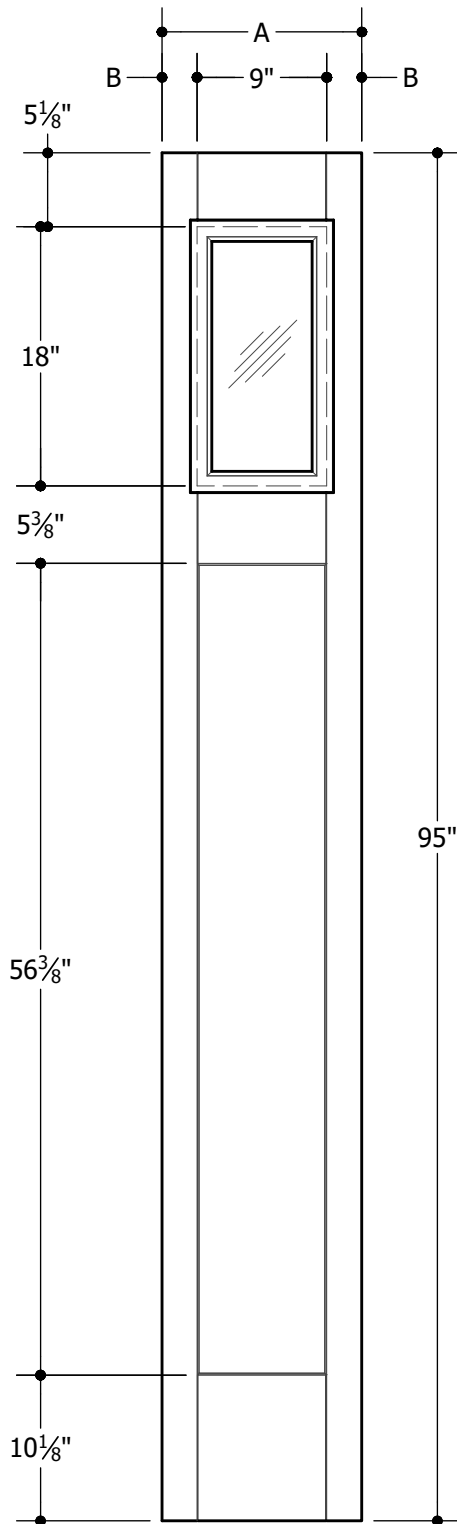
Note:
 1. Overall Length and Width Dimensions are +/- 1/16 inch
 2. Available as Smooth or Fir Wood-Grain Textured

*Available as Prem Spec
www.masonite.com

© 2017 Masonite International Corporation. All Rights Reserved.
 Our continuing program of product improvement makes specifications, design and product detail subject to change without notice.

Filename: TM-H CRFT-SL-QTR-68 005
 Revision: A
 Date: 01-11-2017
 Section XX XX.X.X

HERITAGE CRAFTSMAN® SIDELITE with 1/4 LITE 8'0"
MASONITE™ SPEC*



8'0"	A	11-7/8"	1'0"
	B	1-7/16"	
8'0"	A	13-7/8"	1'2"
	B	2-7/16"	

Note:

- Overall Length and Width Dimensions are +/- 1/16 inch
- Available as Smooth or Fir Wood-Grain Textured

*Available as Prem Spec
www.masonite.com

© 2017 Masonite International Corporation. All Rights Reserved.
Our continuing program of product improvement makes specifications, design and product detail subject to change without notice.

Filename: TM-H CRFT-SL-QTR-80 006
Revision: A
Date: 01-11-2017
Section XX XX.X.X